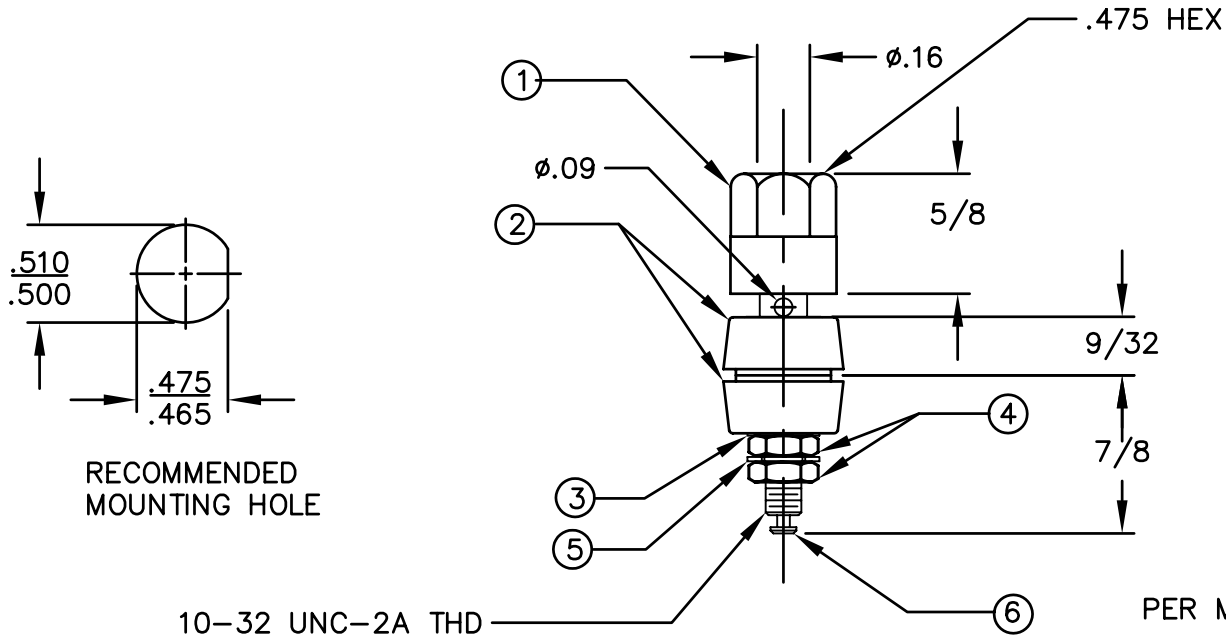
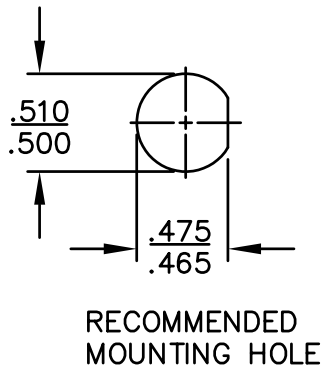


DET	QTY	DESC	MATERIAL	FINISH
1	1	CAP	LEXAN	---
2	2	WASHER	LEXAN	---
3	1	WASHER	BRASS	GOLD
4	2	NUT	BRASS	GOLD
5	1	WASHER	BRASS	GOLD
6	1	BODY	BRASS	GOLD

REVISIONS				
SYM	DESCRIPTION	REVISED BY	DATE	APPR



PART #	COLOR
257-101	WHITE
257-102	RED
257-103	BLACK
257-104	GREEN
257-105	BLUE
257-106	ORANGE
257-107	YELLOW
257-108	BROWN
257-112	VIOLET
257-113	GRAY



10-32 UNC-2A THD

PER MIL-P-55149/1D

MATERIAL: SEE BOM		FINISH: SEE BOM	
DIMENSIONAL TOLERANCES UNLESS OTHERWISE SPECIFIED		TITLE: 257	
.XX	.XXX	BINDING POST	
±.01	±.005	10-32 THD	
FRACTIONS		DRAWN: T. LORD	
±1/64	±1°	DATE: 3/31/04	
HEAT TREAT: CODE 0		CHECKED: T. LORD	
PLOT SCALE: 1:1		DATE: 3/31/04	
		APPROVED: T. LORD	
		DATE: 3/31/04	

ABBATRON

Electronic Connectors and Hardware

632 Arch Street, Meadville, Pa. 16335

SIZE	DRAWING NUMBER	ISSUE
A	SD-257	A